

8. WARRANTY

Califone warrants this product to be free from defective material and workmanship for one year from the purchase date. Our "Project Intercept" Customer Satisfaction program will replace defective parts and repair malfunctioning equipment under this warranty when the defect occurs under normal use.

All Damage Claims Must Be Made With the Freight Carrier

Notify the freight carrier immediately if you observe any damage to the shipping carton or product. Repack the unit in the carton and await inspection by the carrier's claim agent. Notify your dealer of the pending freight claim.

Returning Your Unit for Service or Repairs

Should your unit require service, contact our Customer Service Department online at califone.com/techsupport or via email warranty@califone.com or by phone at 800-722-0500 / 818-407-2400 to first obtain an RA (Return Authorization) number before returning it to Califone. The unit must be returned to our factory via prepaid transportation only after the factory issues an RA number, which must be clearly written on the outside of the box.

Califone® International, Inc.
1145 Arroyo Avenue, #A
San Fernando, CA 91340 USA
Toll Free 800.722.0500 | Toll Free Fax 877.402.2248
International Customers call 818.407.2400 or Fax 818.407.2405
califone.com



Model CW1 USB Webcam

User Manual



Thank you for purchasing the Califone® CW1 USB Webcam.

We encourage you to visit our website www.califone.com to register your product for its warranty coverage, to sign up to receive our newsletter, download our catalog, and learn more about the complete line of Califone® audio visual products, including portable and installed wireless PA systems, multimedia players and recorders, headphones and headsets, computer peripheral equipment, visual presentation products and language learning materials.

1. IMPORTANT SAFETY INSTRUCTIONS

Before using this product, read the instruction manual for important safety information. Please retain this manual for future reference and warranty information.

Troubleshooting & Servicing

Do not attempt to service or repair the device yourself. Refer all servicing to qualified service personnel. Do not attempt to modify the device in any way. Doing so could invalidate your warranty.

Moisture and heat sources

Do not use this apparatus near water (for example, sinks, baths, pools) or expose it to rain, moisture, dripping or splashing liquids. Do not expose the unit to high temperatures, high humidity or direct sunlight.

Cleaning

When cleaning the device, please use a soft, dry cloth. Never use benzene, paint-thinner, or other chemicals on the device.

Location

Place the device in stable location, so it will not fall causing damage to the device or bodily harm.

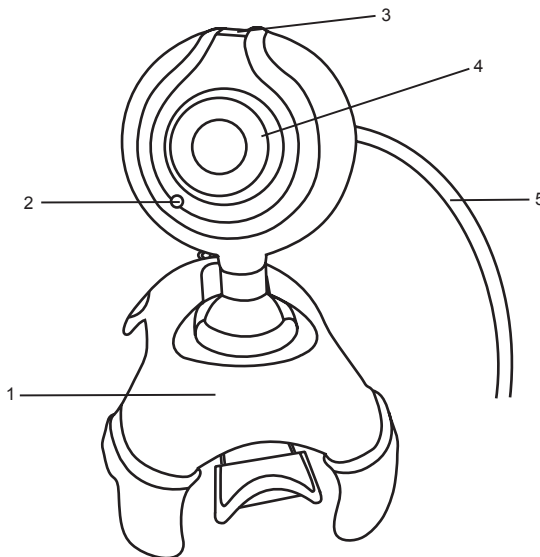
Intended use

The product may only be used with the original parts intended for it. The product may only be used in closed and dry rooms. The intended use includes adherence to the specified installation instructions. The manufacturer accepts no liability for damage arising due to improper use.

2. PACKAGE CONTENTS

- CW1 USB Webcam
- User Manual

3. PART NAMES AND FUNCTIONS



1. Mount/Stand
2. Built-in Microphone
3. OK Button
4. Focus Wheel
5. USB Cable

4. SETUP AND INSTALLATION

1. Mount the webcam on a desk or monitor close to the PC.
2. Connect the USB cable to the PC.
3. Drivers will install automatically.

califone.com

5. BASIC OPERATION

1. Open any software that can utilize standard USB video devices such as conferencing software or image/video capture software.
2. Select the device "USB Video Device".
3. Use the focus wheel to adjust the focus of the camera.
4. Adjust brightness/contrast and other settings in the software as appropriate.
5. Press the OK button on the top of the webcam to take a snapshot, which will be automatically saved on the computer (Windows Operating Systems Only).

6. TROUBLESHOOTING

No Video	• Ensure the USB cable is connected.
No Sound	• Ensure the microphone is not blocked.

7. SPECIFICATIONS & FEATURES

Features	<ul style="list-style-type: none">• Built-in adjustable stand for desktop/laptop/monitor mounting which allows for adjusting camera angle.• Built-in Microphone• Focus wheel• 4' length USB cord
Operating System Compatibility	Windows 2000/XP/Vista/Windows 7 32-bit & 64-bit, Mac OS
Resolution	640 x 480 pixels
Frame Rate	30fps
USB Compatibility	USB2.0
Product Construction	ABS plastic
Product Dimensions	1.75" x 3" x 2.75"
Product Weight (incl. accessories)	3 oz

califone.com